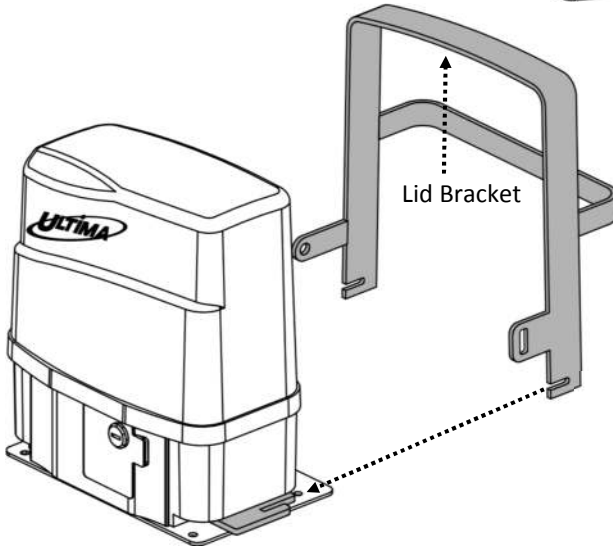
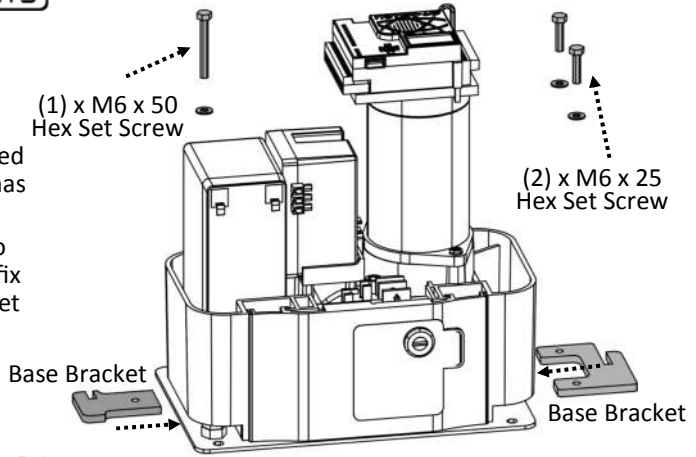


Fitting an Anti Theft Bracket

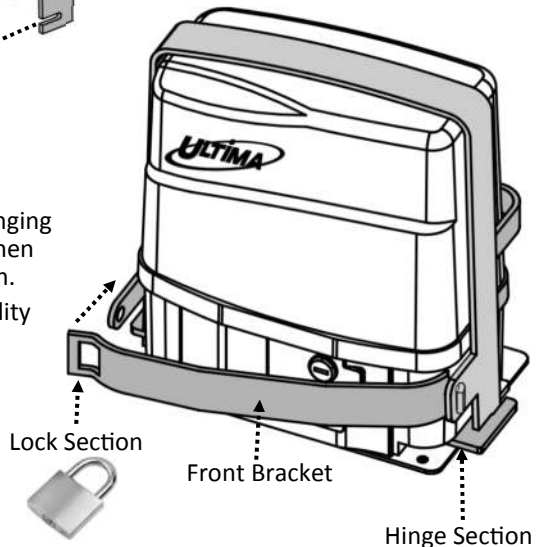
The Anti Theft Bracket can be fitted to a new operator or one which has already been installed.

Slide the two Base Brackets into place beneath the operator and fix in place using the supplied Hex Set Screws as illustrated.



Slide the Lid Bracket over the lid so that it interlocks with the Base Bracket

Secure the Front Bracket by hinging onto the Hinge Section and then sliding over the Lock Section. Lock in place with a high quality padlock.



Although the illustrations provided are those of an Ultima Operator, the same instructions also apply to both the Sprint and Condo Operators.

Please note that the Sprint & Condo Anti Theft bracket is not interchangeable with an Ultima Anti Theft Bracket.